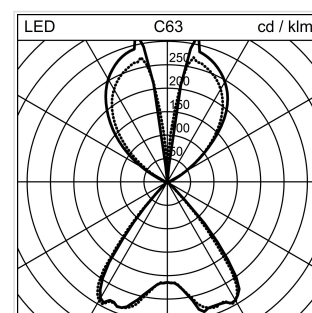
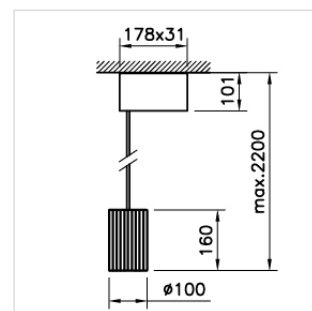


Act

Pendant luminaire

2003.2290

ACT SM PEN100-2200 LED4030-830 DID WH TCH1-10V



| | |
|---------------------------------------|-----------------------------------|
| System power | 43 W |
| Light control | dimnable digital TouchDim + 1-10V |
| Colour temperature | 3000 K warm white |
| Colour / Finish | white |
| Luminous flux of luminaire | 4030 lm |
| Weight | 1.877 kg |
| Colour consistency SDCM | SDCM 3 |
| Unified Glare Rating (UGR) C0 | 19 |
| Colour Rendering Index (CRI) | CRI > 80 |
| Unified Glare Rating (UGR) C90 | 19 |
| Maintained luminous flux | L70 50'000 h |

Pendant luminaire Act for surface mounting, with LED, system power: 43 W, luminous flux of luminaire 4030 lm, colour rendering index CRI > 80, colour temperature 3000 K, warm white, colour tolerances SDCM 3, lifetime LED L70 50'000 h, photobiological safety: the luminaire poses no danger (RG0), 230 V, nominal current: 0.19 A, direct-indirect light emission, (52%/48%), housing in aluminium, white, 1 integral control gear, dimmable digital TouchDim + 1-10V, wide beam,

protection class I, ingress protection IP20, glow wire test 850 °C, this product contains a light source of energy efficiency class E and EPREL registration number: 850933

Ø = 100 mm, H = 160 mm, p = 2200 mm