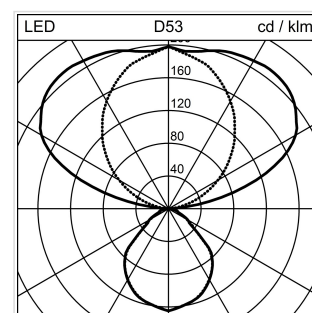
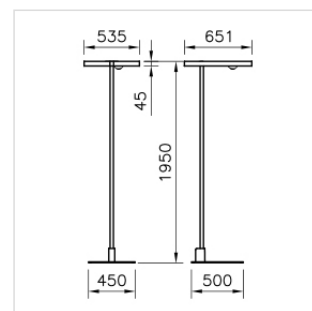


Tweak Office

Freestanding luminaire

2004.6969

TWEAK2 S2U1950 LED12200-840 WH 0IFSEDI EU



System power	84 W
Light control	SensoDim®
Colour temperature	4000 K neutral white
Colour / Finish	white
Luminous flux of luminaire	12200 lm
Weight	38.769 kg
Colour consistency SDCM	SDCM 3
Unified Glare Rating (UGR) C0	12
Colour Rendering Index (CRI)	CRI > 80
Unified Glare Rating (UGR) C90	12
Maintained luminous flux	L80 50'000 h

Freestanding luminaire Tweak Office twin head, with LED, system power: 84 W, standby power 1 W, luminous flux of luminaire 12200 lm, colour rendering index CRI > 80, colour temperature 4000 K, neutral white, colour tolerances SDCM 3, lifetime LED L80 50'000 h, office-compatible and glare-free according to EN 12464-1 (UGR < 19; Lmax >= 65° <= 3000 cd/m²), photobiological safety: the luminaire poses no danger (RG0), 230 V, direct-indirect light emission, 27%/73%, common dimmable and switchable, without control element, luminaire head 2x90°adjustable, one-piece housing in die-cast aluminium, white, RAL 9016, thermo painted, office-suitable microprismatic CLD optics (Controlled Luminance Diffusor) for perfect glare control, 2 integral control gears, SensoDim®, with light/movement sensor, base plate, U-shaped, 3m power supply cable with IEC 7/7 european plug,

Regent certified MINERGIE®-Modul luminaires S.A.F.E. 2019 (Re-0309), luminaire complies with the strict requirements for Minergie-certified luminaires

protection class I, ingress protection IP20, glow wire test

650 °C, this product contains a light source of energy efficiency class C and EPREL registration number: 1140598

L = 651 mm, B = 535 mm, total height = 1950 mm

Datasheet : Accessories

Tweak Office - Freestanding luminaire

2004.6969

TWEAK2 S2U1950 LED12200-840 WH 0IFSEDI EU



2004.4914

ALONE at WORK

Communication module ALONE at WORK for freestanding uplighter Tweak