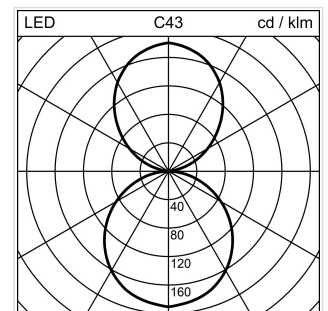
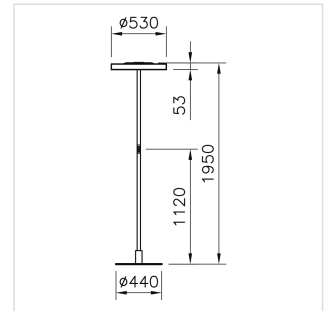


## Solo Slim

### Freestanding luminaire

2005.3637

SOLO S FS530F1950 LED7100-840 WH IF2C EU



<b>System power</b>	51 W
<b>Maintained luminous flux</b>	L80 50'000 h
<b>Colour temperature</b>	4000 K neutral white
<b>Colour / Finish</b>	white
<b>Luminous flux of luminaire</b>	7100 lm
<b>Weight</b>	19.757 kg
<b>Colour consistency SDCM</b>	SDCM 3
<b>Unified Glare Rating (UGR)</b>	20
<b>C0</b>	
<b>Colour Rendering Index (CRI)</b>	CRI > 80
<b>Unified Glare Rating (UGR)</b>	20
<b>C90</b>	

Freestanding luminaire Solo Slim with LED, system power: 51 W, standby power 0.5 W, luminous flux of luminaire 7100 lm, colour rendering index CRI > 80, colour temperature 4000 K, neutral white, colour tolerances SDCM 3, lifetime LED L80 50'000 h, photobiological safety: the luminaire poses no danger (RG0), direct-indirect light emission, 230 V, nominal current: 0.23 A, 55%/45%, independently dimmable and switchable, with control element (2-channel) on the rod, frame in aluminium, white, RAL 9016, 2 integral control gears, base plate, full mould, 3m power supply cable with IEC 7/7 european plug,

Regent certified MINERGIE®-Modul luminaires S.A.F.E. 2019 (Re-0320), luminaire complies with the strict requirements for Minergie-certified luminaires

protection class I, ingress protection IP40, glow wire test 650 °C, this product contains a light source of energy efficiency class C and EPREL registration number: 1140601

Ø = 530 mm, total height = 1950 mm