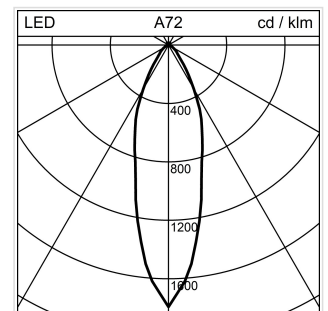
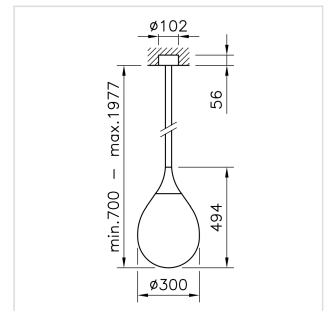


## Tea Glass

### Pendant luminaire

2006.7684

TEA CR PEN300-1977 LED1900-930 GL DALI



<b>System power</b>	22 W
<b>Maintained luminous flux</b>	L70 50'000 h
<b>Colour temperature</b>	3000 K warm white
<b>Light control</b>	DALI
<b>Luminous flux of luminaire</b>	1900 lm
<b>Weight</b>	5.472 kg
<b>Colour consistency SDCM</b>	SDCM 3
<b>Unified Glare Rating (UGR) C0</b>	14
<b>Colour Rendering Index (CRI)</b>	CRI > 90
<b>Unified Glare Rating (UGR) C90</b>	14

Pendant luminaire Tea Glass for recessed ceiling mounting, with LED, system power: 22 W, luminous flux of luminaire 1900 lm, colour rendering index CRI > 90, 3000 K, warm white, colour tolerances SDCM 3, lifetime LED L70 50'000 h, photobiological safety: the luminaire poses no danger (RG0), 230 V, direct-indirect light emission, drop form luminaire element in glass, clear, 1 integral control gear, DALI,

protection class II, ingress protection IP20, this product contains a light source of energy efficiency class D

Ø = 300 mm, p = 1977 mm