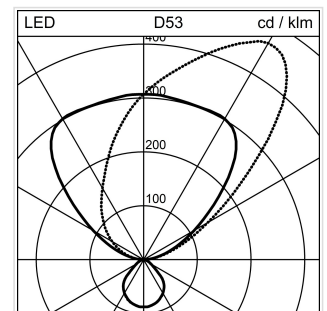
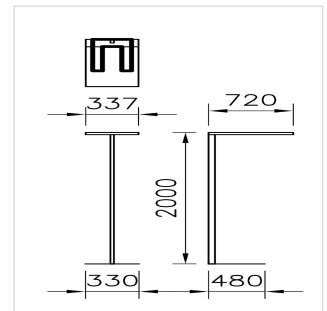


## Neo / Neo+ Office

### Freestanding luminaire

2010.0416

NEO U LED12200-830 WH 01F EU



<b>System power</b>	79 W
<b>Maintained luminous flux</b>	L80 50'000 h
<b>Colour temperature</b>	3000 K warm white
<b>Light control</b>	dimnable digital
<b>Luminous flux of luminaire</b>	12200 lm
<b>Colour / Finish</b>	white
<b>Colour consistency SDCM</b>	SDCM 3
<b>Weight</b>	14.272 kg
<b>Colour Rendering Index (CRI)</b>	CRI > 80

Freestanding luminaire Neo Office single part luminaire head, with LED, system power: 79 W, standby power 0.5 W, luminous flux of luminaire 12200 lm, colour rendering index CRI > 80, colour temperature 3000 K, warm white, colour tolerances SDCM 3, lifetime LED L80 50'000 h, office-compatible and glare-free according to EN 12464-1 (UGR < 19; Lmax >= 65° <= 3000 cd/m²), photobiological safety: the luminaire poses no danger (RG0), 230 V, nominal current: 0.35 A, direct-indirect light emission, 18%/82%, common dimmable and switchable, without control element, one-piece housing in die-cast aluminium, white, RAL 9003, -DM (deep matt), thermo painted, office-suitable microprismatic CLD optics (Controlled Luminance Diffusor) for perfect glare control, integral control gear, dimmable digital, with light/movement sensor, base plate, U-shaped, 3m power supply cable with IEC 7/7 european plug,

protection class I, ingress protection IP20, glow wire test 650 °C, this product contains a light source of energy efficiency class B and EPREL registration number: 1591875

L = 720 mm, B = 337 mm, total height = 2000 mm

## Datasheet : Accessories

### Neo / Neo+ Office - Freestanding luminaire

2010.0416

NEO U LED12200-830 WH 01F EU



#### **2010.1880**

ALONE at WORK

Communication module ALONE at WORK for freestanding uplighter NeoIP20L = 71 mm, B = 31 mm, H = 35 mm