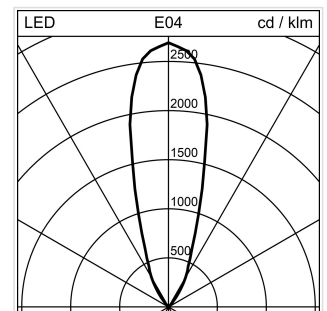
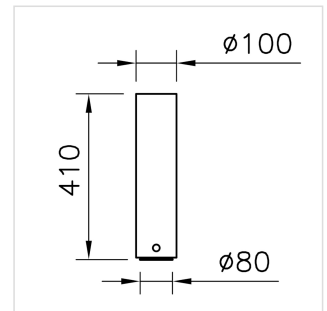


Beam Office

Uplight

2010.5066

BEAM 410 LED9200-830 NB BK CAS



System power	65 W
Light control	Casambi
Colour temperature	3000 K warm white
Colour / Finish	black / anodised
Luminous flux of luminaire	9200 lm
Weight	4.595 kg
Colour consistency SDCM	SDCM 3
Unified Glare Rating (UGR) C0	10
Colour Rendering Index (CRI)	CRI > 80
Unified Glare Rating (UGR) C90	10
Maintained luminous flux	L80 50'000 h

Uplight Beam Office with LED, system power: 65 W, standby power 0.5 W, luminous flux of luminaire 9200 lm, colour rendering index CRI > 80, 3000 K, warm white, colour tolerances SDCM 3, lifetime LED L80 50'000 h, office-compatible and glare-free according to EN 12464-1 (UGR < 19; Lmax >= 65° <= 3000 cd/m²), photobiological safety: the luminaire poses no danger (RG0), 230 V, nominal current: 0.29 A, indirect light emission, narrow beam, with pushbutton on the housing, in aluminium, black, similar to RAL 9005, anodised, 1 integral control gear, Casambi, dimmable 0-100 %, 2m power supply cable with plug,

with USB-C PD 2x25W,

protection class II, ingress protection IP20, glow wire test 650 °C, this product contains a light source of energy efficiency class D and EPREL registration number: 865226

Ø = 100 mm, total height = 410 mm

Datasheet : Accessories

Beam Office - Uplight

2010.5066

BEAM 410 LED9200-830 NB BK CAS



1022.0941

Casambi Switch

Control element Casambi Switch Casambi, white For wireless control of luminaires with Casambi modules, control of luminaires, groups, scenes, animations, dimming and changing the color temperature possible, set consisting of: Control element, mounting plate with magnets CRApp available for free download for iOS and Android devices L = 90 mm, B = 90 mm, T = 12 mm



1022.0942

Casambi Switch

Control element Casambi Switch. black For wireless control of luminaires with Casambi modules, control of luminaires, groups, scenes, animations, dimming and changing the color temperature possible, set consisting of: Control element, mounting plate with magnets CRApp available for free download for iOS and Android devices L = 90 mm, B = 90 mm, T = 12 mm



2004.9946

Control

Plug & Play Flex-Sensor black, 220-240 V, Casambi, controllable with Casambi, Bluetooth, 1.5m power supply cable with CEE 7/16 european plug, system power: 0.4 W, measuring range: 6 m, sensor angle: 100°, compatible with Casambi, ingress protection IP44 Ø = 40 mm, L = 60 mm



2004.9947

Control

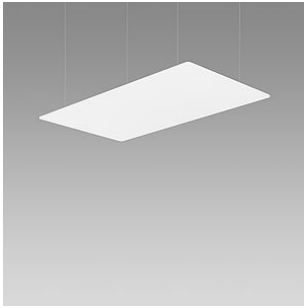
Plug & Play Flex-Sensor white, 220-240 V, Casambi, controllable with Casambi, Bluetooth, 1.5m power supply cable with CEE 7/16 european plug, system power: 0.4 W, measuring range: 6 m, sensor angle: 100°, compatible with Casambi, ingress protection IP44 Ø = 40 mm, L = 60 mm



2005.0943

Ambiente

Acoustic panel Ambiente round, white Ø = 1500 mm



2005.0944

Ambiente

Acoustic panel Ambiente rectangular, white L = 1600 mm, B = 900 mm



2010.5061

Control

Plug & Play Cube-Sensor black, Casambi, controllable with Casambi, Bluetooth, measuring range: 3 m, sensor angle: 100°, Power supply via USB-C, ingress protection IP44 L = 70 mm, W = 70 mm, H = 30 mm